

West 6600 & 8600 Plastics Controller



Single loop temperature / process controller
 1/16 DIN (48 x 48mm) & 1/8 DIN (96 x 48mm)
 Profiler function – 2 programs x 16 segment
 70mm depth behind panel
 Universal Input & 2 or 3 Outputs
 PC configuration
 Available in 1/16 & 1/8 DIN Formats

The West 6600 & 8600 temperature controllers can measure and display the heater current. Special heater break alarms give early warning of element failure, to protect equipment and product. A soft-start feature is available for process warm up.

Specification

Features

Control Types	Full PID with Pre-tune, Self-tune, Manual Tuning, or On-Off control. Heat only or heat & cool
Soft Start	Allows lower SP value and cycle time during the process start-up phase
Auto/Manual	Selectable from front panel, with bumpless transfer. Instant power-off feature also available as standard
Output Configuration	Up to 4 total. Max 2 for control (Heat & Cool), max 3 for Alarms, max 1 for retransmit Process value or Setpoint
Process Alarm Types	Process high, process low, SP deviation, band, logical OR
Heater Break Alarm Types	Current low or high, (in absolute amps or % of nominal current) plus contactor/thyristor short circuit
Human Interface	4 button operation, dual 4 digit 10mm & 8mm high LED displays, plus 3 LED indicators for alarms, tuning and set-up
PC Configuration	Off-line configuration from serial port if RS485 option is fitted.

Input

Thermocouple	J, K, R, S, T, B, L, & N.
RTD	3 Wire PT100, 50 per lead maximum (balanced)
Impedance	>100M
Accuracy	+/- 0.25% of input span +/- 1 LSD (T/C CJC better than 0.7°C)
Sampling	4 per second, 14 bit resolution approximately
Sensor Break Detection	<2 secs, control O/P's turn off, high alarms activate for thermocouple ranges, low alarms activate for RTD
Heater Current	0-50mA secondary from external current transformer. Display is scaleable up to 100 amps

Outputs & Options

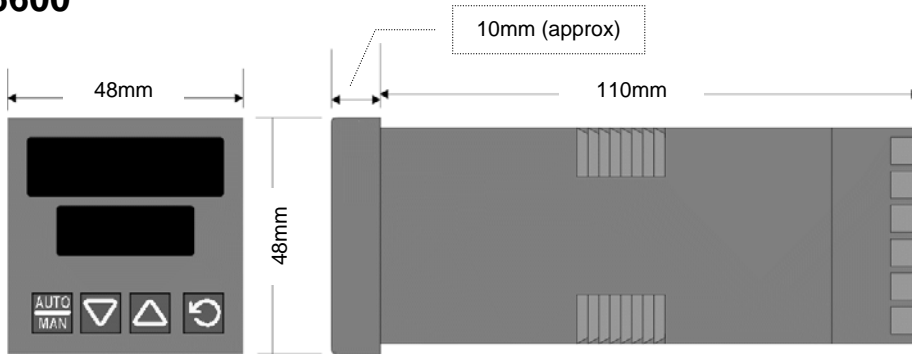
Control & Alarm Relays	Contacts *SPDT 2Amp resistive at 240V AC, >500,000 operations. (Dual relay=SPST for O/P's 2 & 4)
Control SSR Outputs	Drive capability, output 1>10V DC into 500 min, output 2>4.2V DC into 250 min
Solid State (Triac) Outputs	0.01 to 1 Amp AC 20 to 280V, 47 to 63Hz
Retransmit Outputs	0-20/4-20mA into 500 max, 0-10/0-5V into 500 min. Accuracy typically +/- 0.25%
Communications	2 Wire RS485, 1200 to 9600 Baud, Modbus or West ASCII (Selectable)
Dual SP/Current Transfer	Volt free or TTL input. Selects between 2 setpoints or quick transfer of heater current as nominal value

Operating & Environmental

Temperature & RH	0 to 55°C (-20 to 80°C storage), 20% to 95%RH non-condensing
Power Supply	100 to 240V 50/60Hz 7.5VA (optional 20 to 50V AC 7.5VA/22 to 65V DC 4W)
Front Panel Protection	IEC IP66 (Behind panel protection is IP20)
Approvals and Certification	CE, UL & ULc

Dimensions

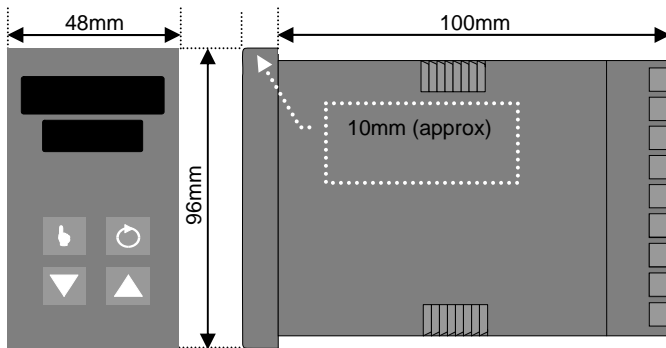
6600



Cut out

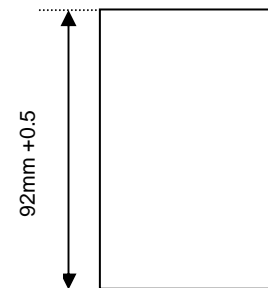


8600



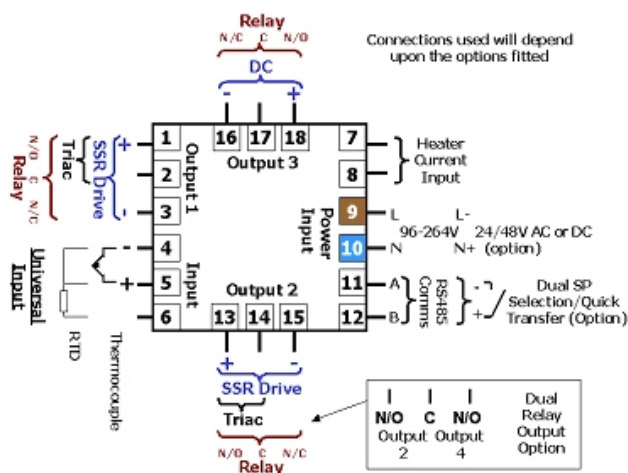
Cut out

45mm +0.5



Wiring Connections

6600



Field Reconfiguration

Input

Configurable Thermocouple or RTD, no extra parts required

Output 1

Type is fixed as Relay/SSR (selectable)

Output 2 (and 4)

Configurable as Cool O/P or Alarm via plug-in Relay, SSR, Triac or DC Linear modules. A Dual Relay card is available which allows Cool O/P or Alarm on output 2 plus Heater Break Alarm on output 4

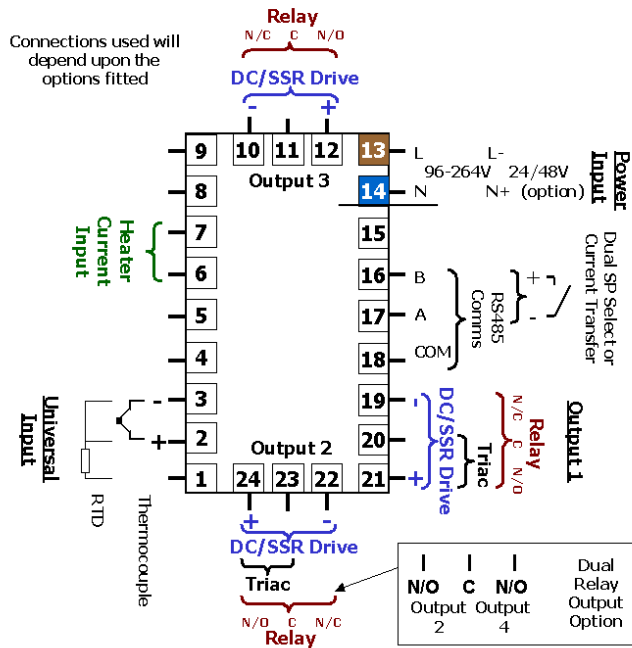
Output 3

Configurable as Alarm via plug-in Relay module, or retransmit using DC Linear module

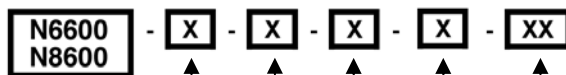
Option Slot

Configurable as RS485 comms or dual setpoint selection/current transfer, via plug-in modules

8600



Ordering Code



Input Type

3 Wire RTD	1
Thermocouple	2

Output 1

Relay Control	1
DC for SSR Control	2

Output 2

Not fitted	0
Relay Control or Alarm 2	1
DC for SSR Control or Alarm 2	2
Triac Control	8
Dual Relay for Control or Alarm with Heater Break	9

Options & Power Supply

00	No Options/100-240V AC supply
02	No Options/24-48V AC or DC supply
10	RS485 Comms/100-240V AC supply
12	RS485 Comms/24-48V AC or DC supply
30	Dual SP or Current Transfer/100-240V AC supply
32	Dual SP or Current Transfer/24-48V AC or DC line

Output 3

0	Not fitted
1	Relay Alarm 1 output
3	DC 0-10V Re-Transmit PV or SP
4	DC 0-20mA Re-Transmit PV or SP
5	DC 0-5V Re-Transmit PV or SP
7	DC 4-20mA Re-Transmit PV or SP

Current Transformers:

25 Amp	Part No 85258
50 Amp	Part No 85259
100 Amp	Part No 85260



Official UK Suppliers & Stockists of:



Temperature & Process Input Controllers

- Single Loop Controllers
- Multi-Loop Controllers
- Programmable Controllers
- Valve Motor Drive Controllers
- Process Indicators

Please contact our sales and service teams at the following address for further product information.



Tempon Instrumentation Ltd.
Unit 19, Ford Lane Business Park, Ford Lane
Ford, Nr. Arundel, West Sussex. BN18 0UZ
Tel: ++44 (0) 1243 558270 Fax: ++44 (0) 1243 558288
Email: info@tempon.co.uk Web site: www.tempon.co.uk

H206
0710