

## INSTALLATION RECOMMENDATIONS

- Electrical signal conductors must be installed away from activation or high voltage or current conductors, preferably passing through grounded conduits.
- A specific electrical power supply network should be provided for instruments use only.
- In controlling and monitoring applications, possible consequences of any system failure must be considered in advance.
- RC filters (47 Ohms and 100 nF, serial) placed in inductor charges (contactors, solenoids, etc.) are recommended.

## WARRANTY

Warranty conditions are available on our web site [www.novusautomation.com/warranty](http://www.novusautomation.com/warranty).

## PRESSURE TRANSMITTER MODEL NP-430D



**NOVUS**  
We Measure, We Control, We Record

V3.0x B

## PRESENTATION

The NP-430D series of pressure transmitters have been developed for general industrial applications including refrigeration technology. It can be used with most refrigerant gases and liquids but is NOT compatible with ammonia (NH<sub>3</sub>).

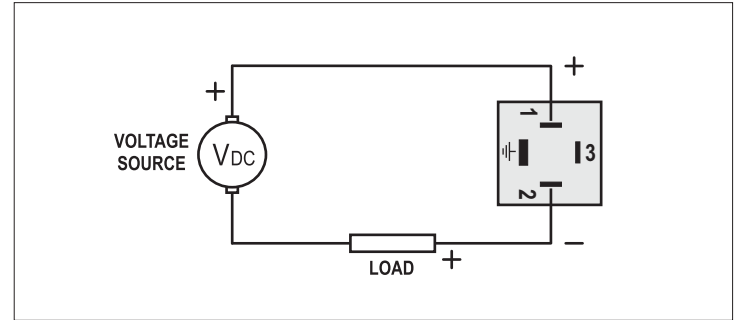
## PRECAUTION

Before working with the transmitter, read carefully its specifications and operating instructions. In case of damaging the device (or anything else as a consequence) because of incorrect or mistaken using, warranty becomes inactive. Installation must be done only by specialized professionals.

## SPECIFICATIONS

Pressure Range: .....Refer to laser mark in the body of the transmitter.  
Signal output: .....two-wire 4-20 mA  
Power supply (V): .....12 to 28 Vdc  
Load (RL): .....RL<sub>max</sub> = (V - 12 V) / 20 mA  
Accuracy: .....better than 1 % FS (10...40 °C)  
.....better than 2 % FS (0...80 °C)  
(including linearity, hysteresis and repeatability)  
Long-term stability: .....0.4 % / FS / year  
Over load: .....150 % FS  
Rupture pressure: .....300 % FS  
Electrical connection: .....DIN 175301-803C (mini DiN)  
Protection: .....IP65  
Weight: .....200 g  
Ambient Temperature: .....-40 to 80 °C  
Process fluid temperature: .....-40 to 100 °C  
Response time: .....< 10 ms (0 to 99 %)  
Process connection: .....External thread 1/4" - 18 NPT (basic model)  
Wetted parts: .....Stainless Steel 1Cr18Ni9Ti, Ceramic Diaphragm (Al<sub>2</sub>O<sub>3</sub> - 96 %)  
Sealing material: .....Nitrile NBR O'ring  
Electromagnetic Compatibility: .....EN50081-1/-2 and EN50082-2  
Internal protection against polarity inversion.

## ELECTRICAL CONNECTIONS



## DIMENSIONS

Scale: 1 : 1

