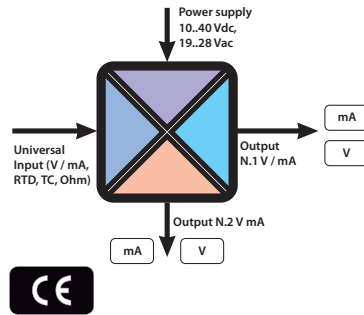




Z170REG

DC UNIVERSAL DUPLICATOR/ISOLATOR WITH 2 OUTPUTS



Z170 allows to convert and duplicate an analog signal (mA, V, PT100, Pt1000, Pt500, Ni100, TCs, Ohm) by 2 independent outputs (mA or V). It disposes also of dip switches to set the available input/output ranges. The auxiliary power supply allows also an active or passive connections on the output side. A 4-way galvanic isolation among Power supply // input // output1 // output2 circuits assures the integrity of your datas.

TECHNICAL SPECIFICATIONS

General Data

Power supply	10..40 Vdc / 19..28 Vac / 50-60 Hz
Power consumption	2,0 W
Isolation	1.500 Vac (4 way)
Power transducers	Yes
Accuracy	0,1%
Response time	Max 25 ms
Status Indicators	Power supply, error, data transmission, data reception, input status
Setting	Dip- switches EASY Z170REG (PC software)
Mounting	35 mm DIN rail guide
Protection Degree	IP20
Operating Temperature	-10..+65 °C
Dimension (W x H x D)	17.5 x 100 x 112 mm

Input

Channel Numbers	1
Voltage	0..10V, min impedance 120K Ω
Current	0..20 mA, max impedance 50 Ω
Rtd	Pt100, Pt500, Pt1000, Ni100 Measure 2, 3, 4 wires
Thermocouple	Type J, K, R, S, T, E, B, N
Potentiometer	1 K Ω ..100 K Ω

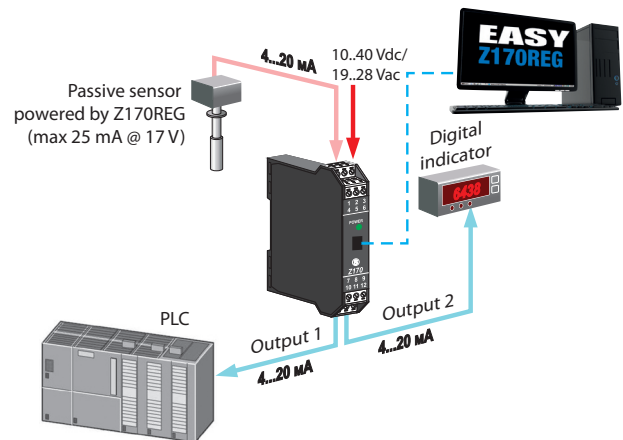
Output

Channel Numbers	2
Voltage	0..10 V Min load resistance: 20 K Ω
Current	0..20 mA (active/passive) Max load resistance: 600 Ω

Standard

Approval	CE
Norms	EN 50081-2; EN 55011; EN 50082-2; EN 61000-2-2/4; EN 50140/141; EN 61010-1

APPLICATION NOTE



ORDER CODES

Code	Description
Z170REG	DC Universal duplicator/isolator with 2 outputs, 10..40 Vdc / 19..28 Vac

ACCESSORIES & SOFTWARE



PM001601
Programming cable
pg. 98



EASY SETUP
Programming software
pg. 98

SIMILAR PRODUCTS



Z109REG2
Universal converter to DC current/voltage isolator converter with alarm output
pg. 78



K121
Loop powered isolator / universal converter
pg. 102



Z109UI2
DC current / voltage to DC current/voltage isolator/ converter
pg. 80