

## Highlights

- ThermoJacket withstands ambient temperatures up to 315°C
- Thermal or mechanical environmental protection for MR, MM, TX or XR sensing heads
- Air/water cooling and air purge in one unit

## Specifications

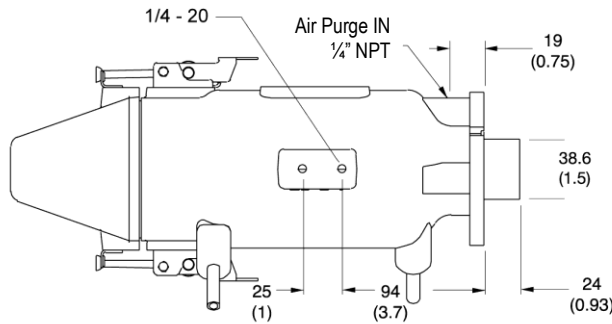
<b>Ambient Temperature</b>	
with water cooling	up to 315°C
with air cooling	up to 115°C
<b>Air Purge Flow</b>	
	36 to 48 l / min
<b>Coolant Pressure</b>	
Water Cooling	275 to 860 kPa
Air Cooling	550 to 827 kPa
<b>Dimension</b>	
	337 x 125 x 158 mm
<b>Weight</b>	
	3,7 kg (without adjustable mounting base)

# ThermoJacket

## Datasheet

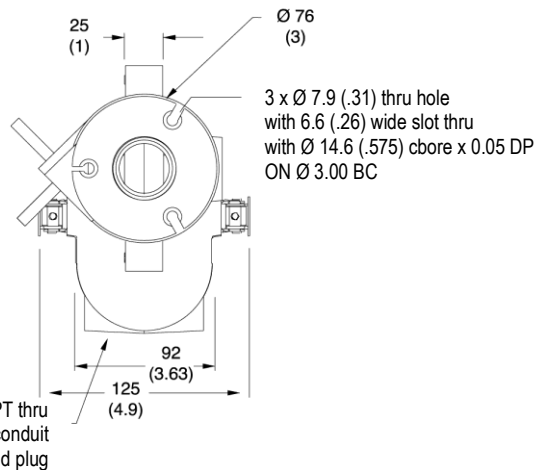
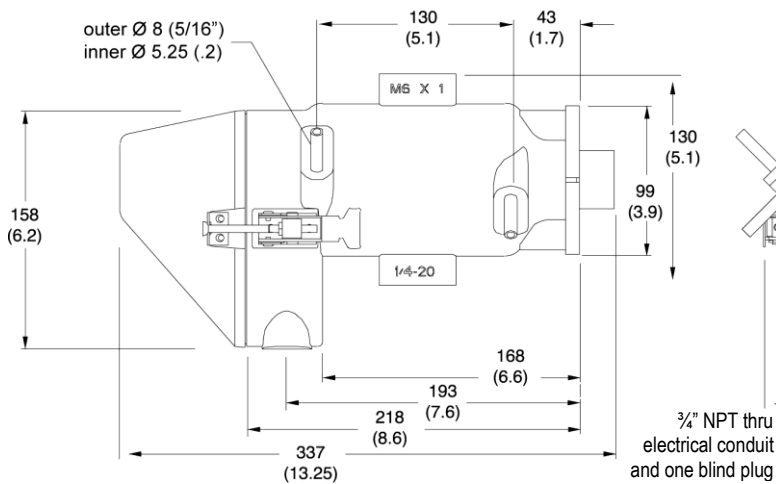


## Dimensions

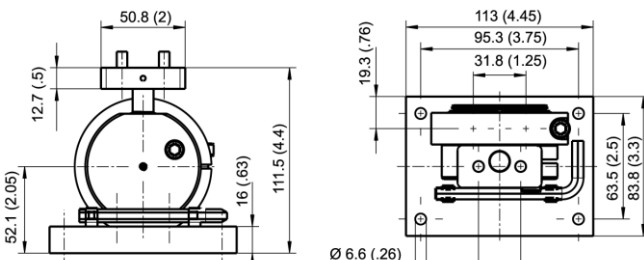


- RAYTXXTJ1M** ThermoJacket for MR sensing heads
- RAYTXXTJ3M** ThermoJacket for TX sensing heads
- RAYTXXTJ4M** ThermoJacket for MM sensing heads
- RAYTXXTJ5M** ThermoJacket for XR sensing heads

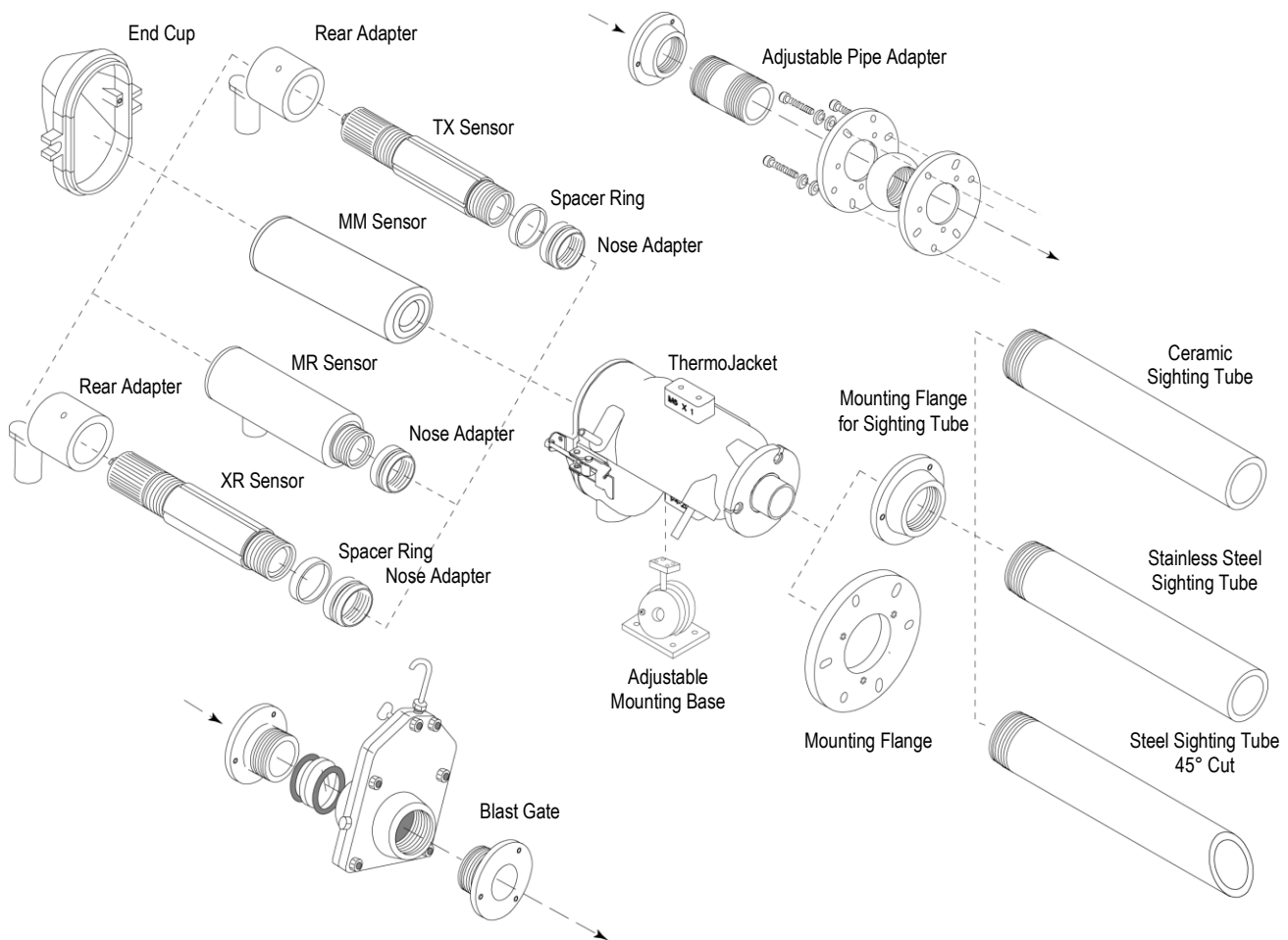
mm (in.)



## Adjustable Mounting Base (XXXTXXMB)



## Accessories Overview



## Accessories

**Sighting Tubes:** for environments where reflected energy is a problem.

- Ceramic Sighting Tube, 305 mm long (XXXTST12)
- Stainless Steel Sighting Tube, 305 mm long (XXXTSTC12)
- Steel Sighting Tube with 45° cut, 305 mm long (BEESIGHT)

**Mounting Flanges:**

- Mounting Flange (XXXTXXMF)
- Mounting Flange for Sighting Tube (XXXTXXMST)

**Blast Gates:**

- Blast Gate with Quartz Window, max. 870°C, for 1M, 2M and HT (XXXTXXGTQ)
- Blast Gate with Amtir Window, max. 300°C, for LT, MT, G5, and P7 (XXXTXXGTA)

**Regulators:**

- Air Pressure Regulator, max. press. 10 bar, max. temp. 50°C, filter size 5 µm (XXXTXXAR)
- Air Flow Regulator, max. pressure 7 bar, max. temperature 38°C (XXXTXXCAFR)
- Water Flow Regulator, max. pressure 7 bar, max. temperature 38°C (XXXTXXWR)

**Adjustable Pipe Adapter (XXXTXXAPA)**

## Required Coolant Flow

Ambient Temp.	Water Cooling	Air Cooling
93°C	0,3 l / min	95 l / min
121°C	0,6 l / min	110 l / min
149°C	1,0 l / min	120 l / min
232°C	1,3 l / min	
315°C	2,0 l / min	

coolant temperature of 20°C at inlet

