

2132i 2116i

MODELS

Ideal for

- temperature indication
- 4-20mA process inputs
- over-temperature protection
- process value trip unit

Specifications

Dimensions:

Model 2132i:

48W x 24H x 103D mm
panel cut-out 45 x 22.2mm

Model 2116i:

48W x 48H x 103D mm
panel cut-out 45 x 45mm

Display:

Green 4 digit 10mm LED

Supply voltages:

85-264Vac
20-29Vac or dc, 15watts
max.

Operating ambient:

0-55°C, 5-95%RH non-
condensing

Inputs:

Nine standard
thermocouple types.
Pt100. Linear mV/mA

Sample rate:

5Hz

Relay output rating:

2A, 264Vac resistive

Panel sealing:

IP65, plug-in from front
panel



Compact Indicator and Alarm Units

Available in compact 1/32 and 1/16 DIN panel sizes, the 2132i and 2116i provide accurate measurement and display of temperature and other process variables. A universal input allows selection of nine internally stored thermocouple types. Other input linearisations may be factory downloaded. Linear 4-20mA inputs can be scaled to the desired display range. Keylock and passwords prevent unauthorised access to configuration and alarm settings.

A bright, clear LED display gives good visibility in low and high ambient lighting.

Three internal setpoints are provided. They operate up to two alarm outputs which can be configured as latching or non-latching. A special mode known as 'alarm blocking' is available. In this mode, after power on, the process value must first enter a good state before the alarm becomes active. This is particularly useful for low alarms which can be 'blocked' while the process is warming-up.

Operation is user friendly with tactile buttons.

Calibration accuracy is maintained with a self-correcting input circuit. User calibration allows offsets to be applied to compensate for sensor and other system errors.

Features

Universal input - covers a wide range of temperature and process inputs

Three alarm setpoints - separate warning and shut-down limits

One or two alarm outputs - alarm alert and shut-down outputs

Front panel configuration - easy, on-site set-up

Wide-range 85-264Vac, or 20-29Vac/dc supply - can be installed world-wide

Plug-in from front - rapid replacement, reducing downtime

IP65 panel sealing - can be used in wet and dusty atmospheres



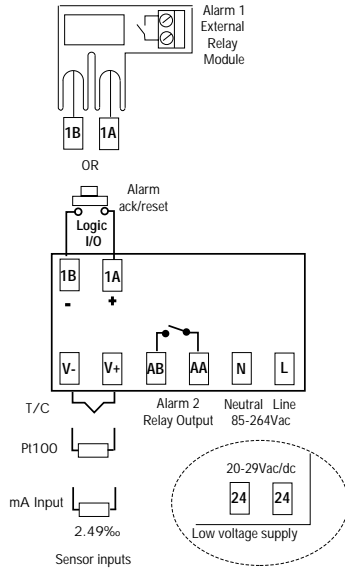
EUROTHERM

CONTROLS
PROCESS AUTOMATION
RECORDERS

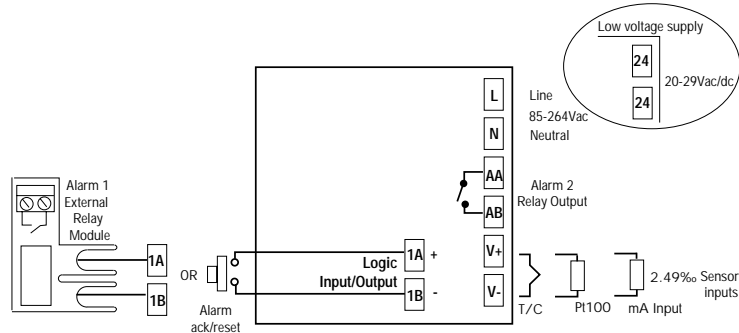

An Invensys company

Rear terminal connections

Model 2132i



Model 2116i



Ordering codes

Model Number	Function	Supply Voltage	Manual	Logic Input/Output	Alarm 2 Relay	Sensor Input	Setpoint Min	Setpoint Max	Units	Ext. Relay Module	Input Adaptor
	note 1						note 2	note 2			

Model Number	Logic Input/Output	Sensor Input	Setpoint Min	Setpoint Max	Units
2132i 48x24mm unit 2116i 48x48mm unit	XX Disabled (note 1) Logic input AC Alarm ack/reset KL Keylock Non-latched alarm FH High alarm 1 FL Low alarm 1 Latched alarm HA High alarm 1 LA Low alarm 1 NW New alarm	Standard Sensor Inputs J J Thermocouple K K Thermocouple T T Thermocouple L L Thermocouple N N Thermocouple-Nicrosil/Nisil R R Thermocouple-Pt/Pt13%Rh S S Thermocouple-Pt /Pt10%Rh B B Thermocouple-Pt/Pt30%Rh -6%Rh P Platinel II Thermocouple Z RTD/PT100 DIN 43760 Factory Downloaded Input C C Thermocouple - W5%Re/W26%Re (Hoskins) D D Thermocouple - W3%Re/W25%Re E E Thermocouple 1 Ni/Ni18%Mo Thermocouple 2 Pt20%Rh/Pt40%Rh Thermocouple 3 W/W26%Re (Engelhard) Thermocouple 4 W/W26%Re (Hoskins) Thermocouple 5 W5%Re/W26%Re (Engelhard) Thermocouple 6 W5%Re/W26%Re (Bucose) Thermocouple 7 Pt10%Rh/Pt40%Rh Thermocouple 8 Exergen K80 I.R. pyrometer Process Inputs (Scaled to setpoint min and max) M -9.99 to +80mV linear Y 0 to 20mA linear (note 3) A 4 to 20mA linear (note 3) V 0 to 10Vdc linear (Input Adaptor required)	Min °C Max -210 1200 -200 1372 -200 400 -200 900 -200 1300 -50 1768 -50 1768 0 1820 0 1369 -200 850 Min °C Max 0 2319 0 2399 -200 1000 0 1399 0 1870 0 2000 0 2010 10 2300 0 2000 200 1800 -45 650 Min °C Max -1999 9999 -1999 9999 -1999 9999 -1999 9999	C Celsius F Fahrenheit K Kelvin X Linear input	
Function ND Indicator only (Logic I/O and Alarm relay will not be fitted) AL Indicating alarm unit (Logic I/O and alarm output fitted)	Alarm 2 Relay Output XX Disabled (note 1) Non-latched alarm FH High alarm 2 FL Low alarm 2 AL High alarm 2 & low alarm 3 Latched alarm HA High alarm 2 LA Low alarm 2 AA High alarm 2 & low alarm 3 NW New alarm				Ext. Relay Module XX Not fitted R7 Fitted (Operated by the logic output)
Supply Voltage VH 85-264Vac VL 20-29V dc or ac					Input Adaptor XX Not fitted V1 0-10Vdc A1 0-20mA current sense resistor (2.49% 0.1%)
Manual XXX No manual ENG English FRA French GER German NED Dutch SPA Spanish SWE Swedish ITA Italian					

Note 1. If 'ND' (Indicator only) is specified in the function field then 'XX' must be entered in the Logic Input output field and the Alarm 2 Relay field.

Note 2. Setpoint min and max: Include the decimal position required in the display value; up to one for temperature inputs, up to two for process inputs.

Note 3. An external 1% current sense resistor is supplied as standard. If greater accuracy is required specify 'A1' in the Input Adaptor field.

Example ordering code

2132i - AL - VH - ENG - AC - HA - K - 0 - 1000 - C - XX

2132i, Indicating alarm unit, 85 to 264Vac, English manual, Remote Acknowledge, Latched High Alarm Relay Output, Type K thermocouple, 0 to 1000°C, no options

