

C160

Wall-/Pipe Mounted Universal Process Indicator

C160 – reliable process indicator, wherever it's needed



High visibility LED display

– the clearest view of your process status

0.1% measurement accuracy

– precise indication of process measurement

IP66/NEMA4X wall-/pipe-mounted weatherproof enclosure

– reliability in the harshest environments

Analog and relay outputs as standard

– alarm and retransmission facilities built-in

Totalizer and math functions

– 6-digit totals and max./min. values

Universal process input with transmitter power supply

– direct connection for any process signal

RS485/Modbus serial communications

– SCADA, PLC and open system integration

C160

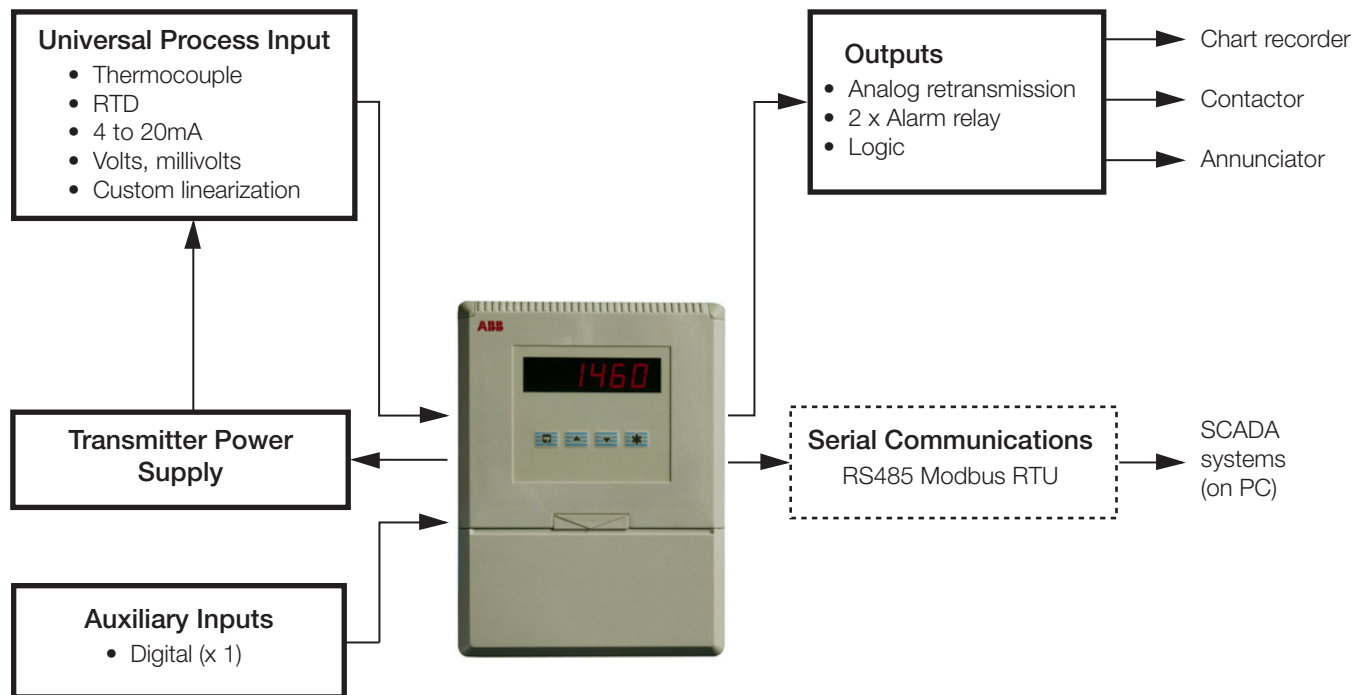
The C160 Universal Wall-mounting Indicator is a highly versatile, 5-digit industrial display indicator, with the capability to measure and indicate temperature, pressure, flow, level and other process variables.

The standard C160 provides a retransmission output and two alarm relays, with the option to add RS485 communications to suit your application.

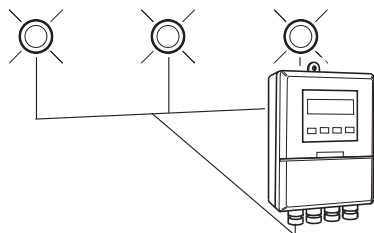
With all-round IP66/NEMA4X protection as standard, and superior RF immunity, the C160 has been designed to provide reliable indication in the harshest environments.



Pipe-mounted C160 Indicator

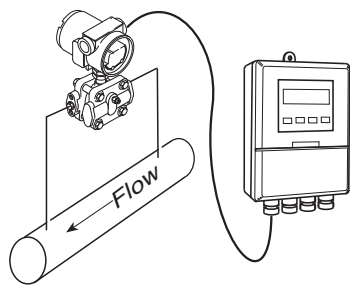


KEY: Standard Option



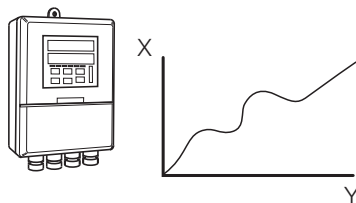
Display and Alarm

The C160's two built-in 5A relays can be used to annunciate high or low process alarms. Active alarms are indicated by flashing LEDs to the right of the main display.



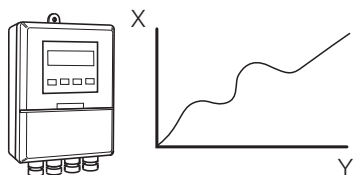
Isolated Retransmission

The C160 has, as standard, a 4 to 20mA output for retransmission of the process variable to a chart recorder or data logger.



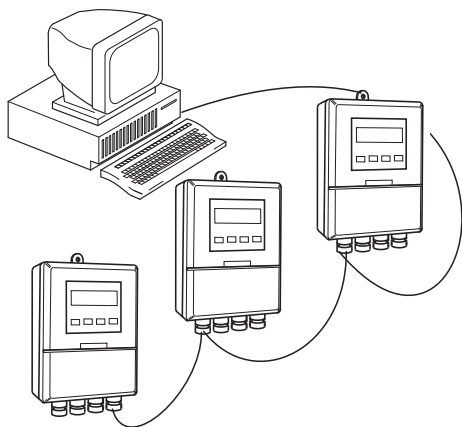
Custom Linearization

As standard the C160 has a 20-breakpoint linearizer suitable for volume calculation. (Factory setup using PC configurator).



Flow Totalization, 6 digits

A standard feature in the C160 is flow totalization. This totals any 4 to 20mA flow signal. With the built-in transmitter power supply and root extraction this makes the C160 ideal for use with Differential Pressure devices such as the WEDGEMASTER. It can also be configured for simple batch control by use of preset and predetermined totals.



RS485/Modbus

Fitted with an optional RS485 serial communication board the C160 can communicate with PLCs and SCADA systems using the Modbus protocol.

Physical

Size

160mm (6.3 in.) wide x 250mm (9.84 in.) high x
68mm (2.68 in.) deep

Weight

2kg (4.5 lb) approx.

Mounting Option

Wall-mounted
Pipe-mounted with optional kit Pt. No. 4600/0138

Electrical

Voltage

85 to 265V AC 50/60Hz
24V DC (option)

Power consumption

<6VA AC
<5W DC

Power interruption protection

<60ms/< 3 cycles, no effect
>60ms/>3 cycles, instrument returns to operation after a
controlled reset

Environmental

Operating limits

-10 to 55°C (32 to 131°F)
5 to 95% RH non-condensing

Temperature stability

<0.02% of reading or 2μV/°C (1μV/°F)

Enclosure

IP66/NEMA4X

EMC

Emissions and Immunity

Meets requirements of IEC 61326 for an Industrial Environment

Design and manufacturing standards

CE mark

Electrical safety

EN61010 – 1

Standard Analog Input Ranges

Thermocouple	Maximum Range °C	Maximum Range °F	Accuracy (% of reading)
B	-18 to 1800	0 to 3270	0.1% or ±2°C (3.6°F) [above 200°C (392°F)] *
E	-100 to 900	-140 to 1650	0.1% or ±0.5°C (0.9°F)
J	-100 to 900	-140 to 1650	0.1% or ±0.5°C (0.9°F)
K	-100 to 1300	-140 to 2350	0.1% or ±0.5°C (0.9°F)
G	-200 to 1300	-325 to 2350	0.1% or ±0.5°C (0.9°F)
R	-18 to 1700	0 to 3000	0.1% or ±1.0°C (1.8°F) [above 300°C (572°F)] *
S	-18 to 1700	0 to 3000	0.1% or ±0.5°C (0.9°F) [above 200°C (392°F)] *
T	-250 to 300	-400 to 550	0.1% or ±0.5°C (0.9°F)

* For B, R and S thermocouples, performance accuracy is not guaranteed below value stated

Min. span below zero Type T 70°C (126°F) Type N 105°C (189°F)
THC standards DIN 43710 IEC 584

RTD	Maximum Range °C	Maximum Range °F	Accuracy (% of reading)**
Pt100	-200 to 600	-325 to 1100	0.1% or ±0.5°C (0.9°F)

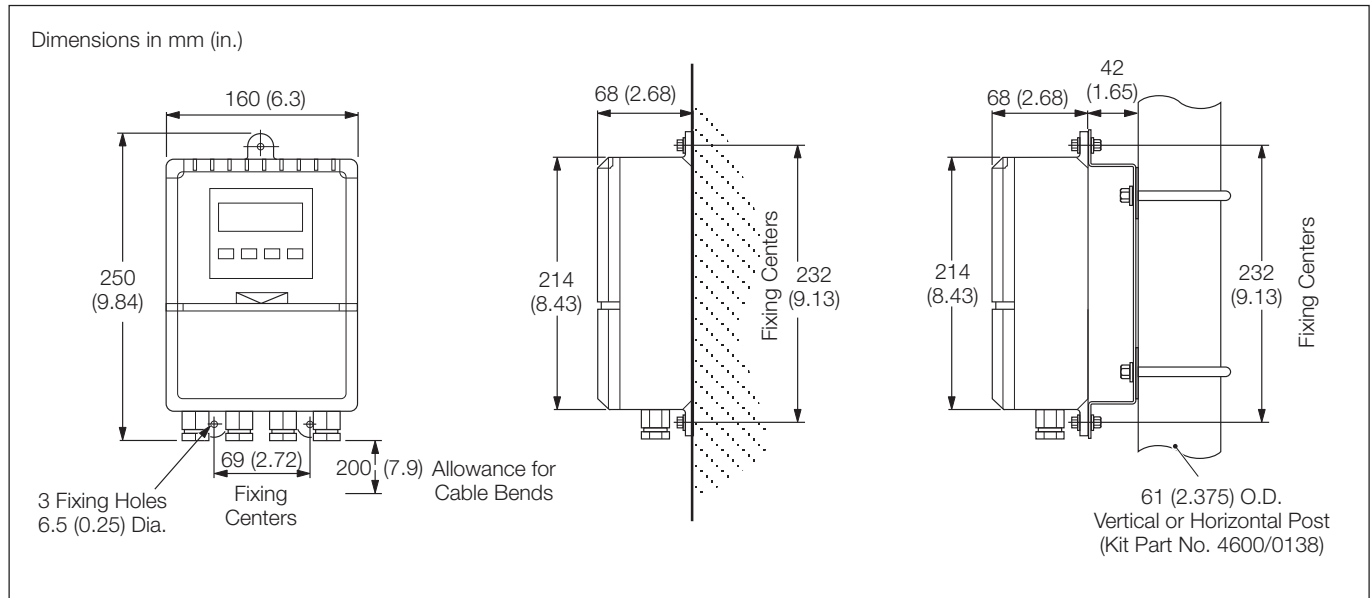
** RTD, 3-wire platinum, 100Ω per DIN 43760 standard (IEC 751), with range of 0 to 400Ω

Linear Inputs	Range	Accuracy (% of reading)
Milliamps	0 to 20mA	0.2% or ±2μA
Milliamps	4 to 20mA	0.2% or ±2μA
Volts	0 to 5V	0.2% or ±200μV
Volts	1 to 5V	0.2% or ±200μV
Millivolts	0 to 50mV	0.1% or ±20μV

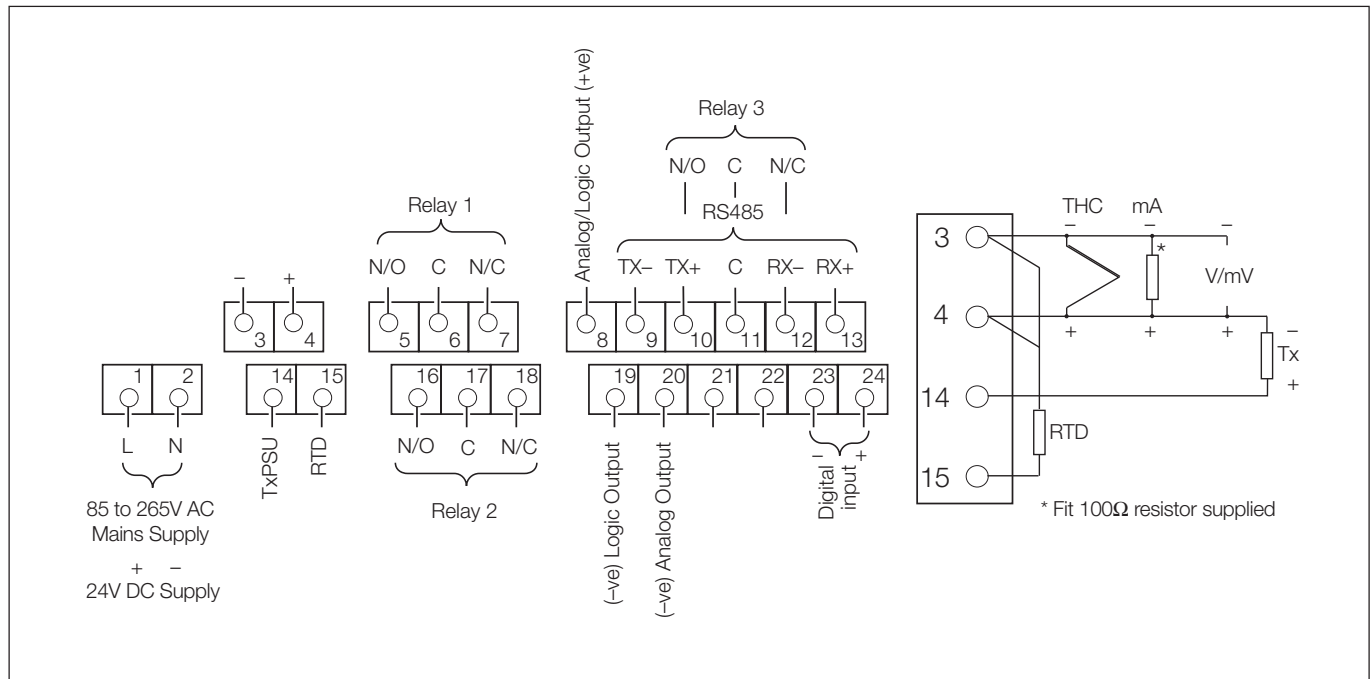
Square Root Input	Range	Accuracy (% of reading)***
Milliamps	4 to 20mA	0.2% or ±2μA

*** Below input of 4.64mA (20% flow) the input is linear

Overall Dimensions



Electrical Connections



Ordering Information

C160 Wall-/Pipe Mounted Universal Process Indicator	C160	/	X	X	X	X	/	X	X	X	X	X			
Relay Option															
2 relays + 1 digital input + 4 to 20mA retransmission + logic output	0	1													
3 relays + 1 digital input + 4 to 20mA retransmission + logic output	0	2													
Modbus Option															
2 relays + 1 digital input + 4 to 20mA retransmission + logic output + RS485 Modbus	0	3													
Power Supply															
85V to 265V AC (M20 fitted with cable glands)												0			
24V DC (M20 fitted with cable glands)												1			
85V to 265V AC (NPT fitted with blanking plugs)												2			
24V DC (NPT fitted with blanking plugs)												3			
Build															
ABB Standard												0			
Programming/Special Features															
Configured to factory standard												S	T	D	
Configured to customer requirements												C	U	S	
Special features												S	P	X	X